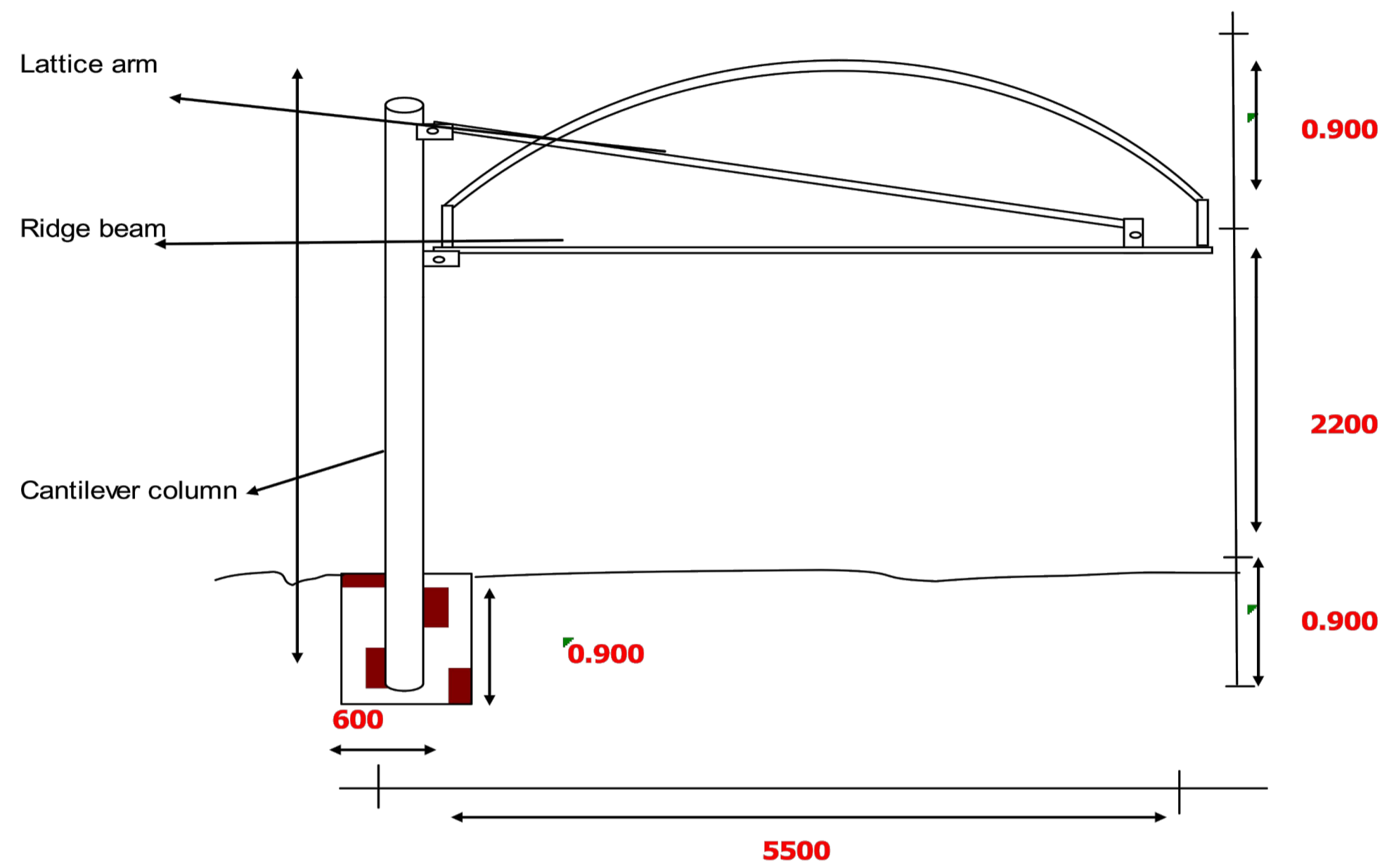
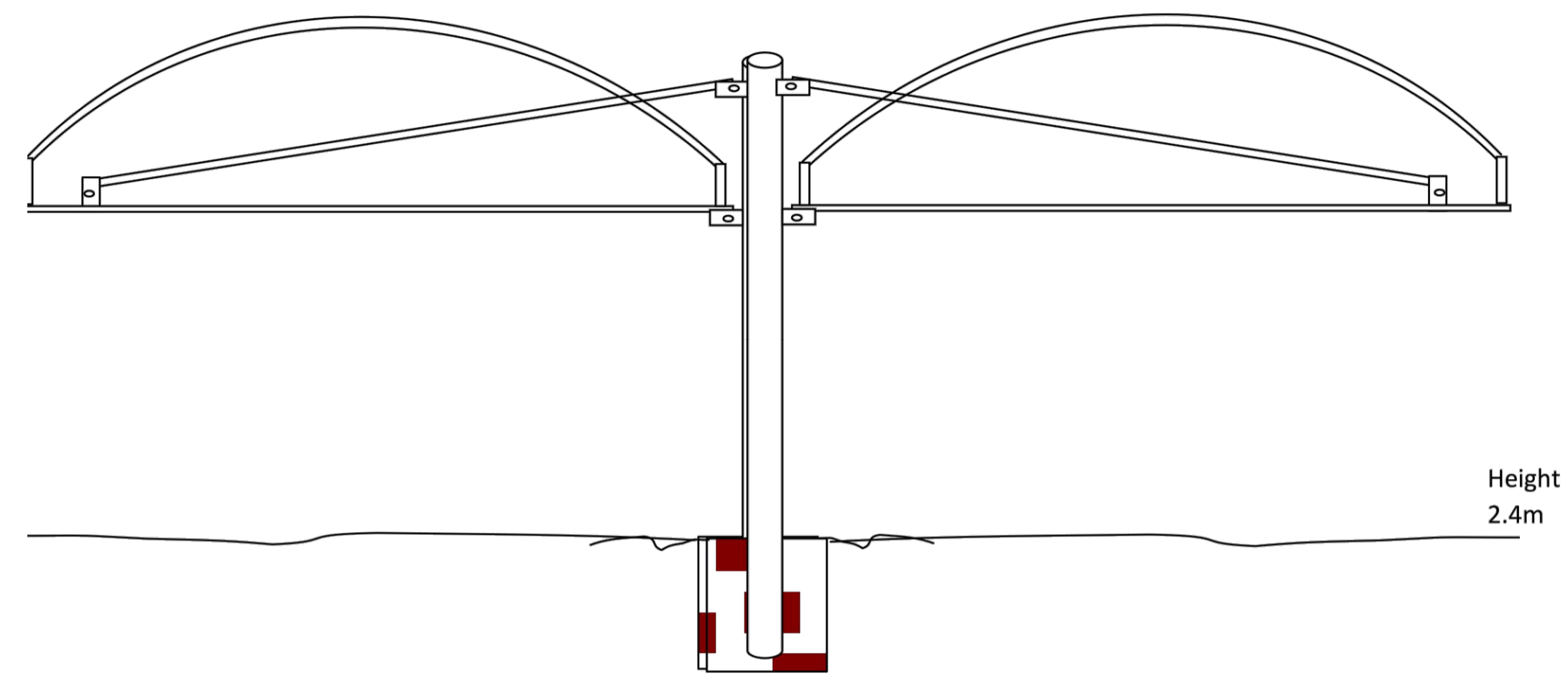


Canti lever Structure

CANTILIVER STRUCTURE



BACK TO BACK CANTILIVER STRUCTURE



CANTILIVER STRUCTURE



Canti lever Specification:

- columns 152 x 4ml
- Hoops 48 x 2mm
- Ridgebeams 76 x 2mm
- Lattice arm 48 x 2mm
- kntex sabs approved nets 95%
- uv blackout 225

REV	DATE	DRAWN	CHECKED	DESCRIPTION

CONSULTANT:
MZANSI AFRICA CIVILS
 Tel : 011 886 3373
 Fax : 011 886 3949
 16 BOND STREET OFFICE PARK
 CORNER BOND & KENT STREET, FERNDALE
 e-mail: mzansi@mzansiAfrica.co.za

CLIENT:
NATIONAL HOME BUILDERS
NHBRC
 REGISTRATION COUNCIL

PROJECT NAME:
**DESIGN OF A NEW PARKING AREA
 AND REHABILITATION OF THE
 EXISTING BAYS**

DRAWING TITLE:
**TYPICAL DETAILS FOR
 SHADEPORT STRUCTURE**

FOR CONSTRUCTION

	SIGNATURE	DATE
DESIGNED		
DRAWN		
CHECKED		
APPROVED		
SCALE	AS SHOWN	

PROJECT No.	DSP.	DRG. NUMBER	STAGE	SHEET SIZE	REVISION
6019	SC	005	T	A1	0

CLIENT DRAWING No. FILE NAME AND LOCATION No.